

A new addition to the TIMH range, the CableSafe is the continued evolution of SP's running line tensiometers. When used in the field, it will allow the user to monitor tension with exceedingly high levels of accuracy, which ensures that rope/cables do not become overstretched or break.

When using a capstan winch to unwind electrical cable from a reel/spool, you will be able to Integrate the CableSafe within this setup to ensure that it is being pulled at a safe tension level. This helps the line maintain its transmissions capability, prevent it becoming a fire hazard risk, and it also stops the need of furthering work in order to remove and replace it. The contractor is gifted with decreased liability and dramatically increased peace of mind.

Another example of best use is during the installation of cell phone towers or similar delicate structures. You will be able to use the product to help ensure structure-to-ground ropes, connected to a gin pole and pulley system, do not exceed maximum tension whilst lifting sections of the tower to the top. There can be the possibility of the rope becoming snagged and cause greater tension to be loaded upon the system. With heavy materials being lifted to great heights; this would create a major safety hazard leading to a catastrophic failure with the endangerment of lives. Avoid the unknown through accurate monitoring, especially when risks are high.

What distinguishes it apart from previous versions of this type is the developed lightweight design that allows for easy transportation and usage. It also provides up to 500 hours battery life so that you can be assured that it won't lose power before your work day has ended. The high level IP67/NEMA 6

ingress protection allows the product to be used in a variety of heavy weather conditions and dusty environments. These features, as a collective, means that it will be an invaluable and reliable tool in your work related armoury.

The five wheel design and gravity catches with top sheave pins allows for fast and simple rope attachment setup. The accuracy is also improved over three wheel alternatives.

When used with a cable/rope pulling device you can remotely monitor the tension on the line using your smart handheld device via a Bluetooth connection*. You will be able to locate yourself up to 50m/164ft away from the CableSafe to allow you to survey job progress from a distance.

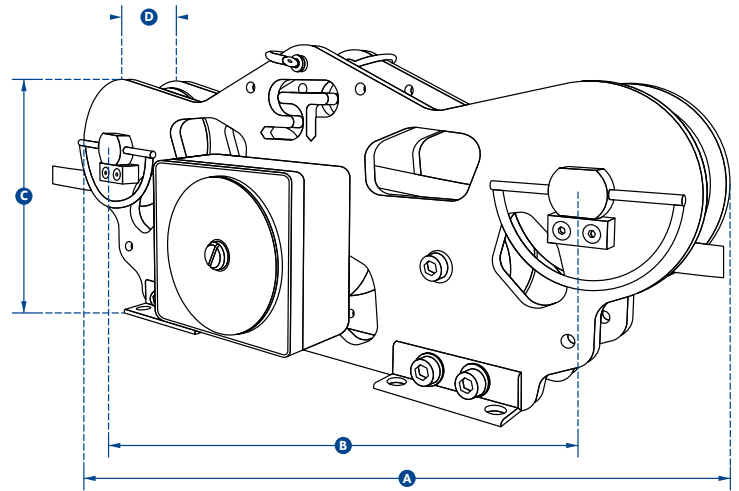
**The 'HHP' app is available to download for free (Android/iOS) and is compatible with all SP wireless products.*

Applications:

- Fibre optic cable pulling using turret winches
- Water gates for dams
- Offshore rescue and retrieval
- Capstan rope/cable winding
- Broadcast and telecommunications
- Erecting towers (maintaining structural capacity)
- Service and maintenance of cell towers

Features and benefits:

- Simple to use and setup
- Remote monitoring using smart phone via Bluetooth
- Rapid tension force measurement - Up to 50m/164ft per minute
- Able to be used in all weather and air quality conditions
- Easy to install and replace batteries (4 x AA standard Alkaline)
- Fully constructed from light and durable hard Anodised Aluminium
- Five wheel design improving accuracy (clear anodised)
- Linchpins are fitted to the top sheave pins making wire rope installation quick and simple
- Maintenance free heavy duty bearings (oil filled brass bushes)
- Compatible with a wide range of rope circumferences – 4-19mm/0.16"- 0.75"
- Bluetooth connection to app on smart mobile device to remotely monitor tension
- Design validated by F.E.A.
- IP67 ingress protection / NEMA 6 – heavy protection against dust and rain



Part Number	CS10T
Capacity	10te
	22,000lb
Resolution	0.01te
	20lb
Rope Ø	4-19mm
	5/32" - 3/4"
Weight	4.5kg
	10lb
Battery Type	4 x AA Alkaline
Battery Life	500hrs
Operating Temp	-10°C to +50°C / 14°F to 122°F
Accuracy	2% F.S.
Range	Bluetooth 50m / 164ft
Protection	IP67 / NEMA 6
Maximum Speed	50m per minute / 164ft per minute
Dimension A	422mm
	16.60"
Dimension B	330mm
	13"
Dimension C	152mm
	6"
Dimension D	36mm
	1.4"