

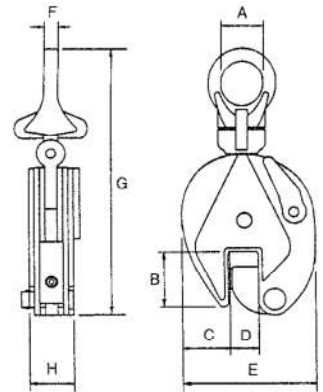
## Plate Lifting Clamps



### Universal Capacities: 500kg to 5 tonnes

#### FEATURES

- Strong all-steel construction
- Safety lock
- Wide plate acceptance
- Hardened pressure plate and tongue
- Durable baked enamel finish
- Spare parts available



Product Code		OUVPC-05	OUVPC-1	OUVPC-2	OUVPC-3	OUVPC-5
Rated capacity	t	0.5	1	2	3	5
Test Load	kN	7.35	14.7	29.4	44.1	73.5
Max. Jaw opening	mm	15	20	25	30	50
Dimensions mm	A	30	48	68	74	80
	B	43	63	76	85	90
	C	34.5	51	59	56	65
	D	0 - 17	0 - 22	0 - 27	0 - 32	0 - 52
	E	103	138	164	193	240
	F	10	12	16	20	22
	G	212	294	370	418	450
	H	36	50	52	78	88
Net Weight	kg	2	4.8	6.5	15	23
Volume	cm	23 x 5 x 11.5	31 x 7 x 16	38 x 8 x 19	45 x 11 x 22	48 x 14 x 27

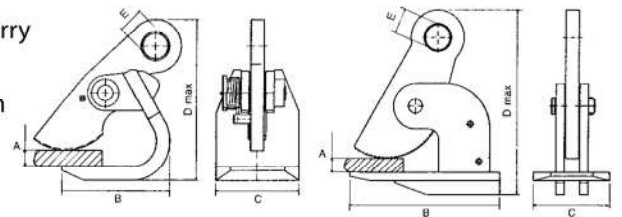
COMPLIES WITH AS4991



### Horizontal Capacities: 1.5tonne to 5 tonnes

#### FEATURES

- Compact size and easy to carry
- Strong all-steel construction
- Durable baked enamel finish
- Lightweight and safe
- Spare parts available



Product Code		OHPC15	OHPC30	OHPC50	
Rated capacity	tonnes p/pair	1.5	3	5	
Test load	tonnes p/pair	3.0	6.0	10.0	
Max. Jaw Opening	mm	50	50	60	
Dimensions mm	A	0 - 52	0 - 52	0 - 62	
	B	127	220	260	
	C	100	110	130	
	D max	218	270	315	
	E	f30	f36	f49	
Net. Weight	kg	single	4.3	7.7	14.1
		pair	8.6	15.4	28.2
Volume	cm	17 x 12 x 24	26 x 13 x 20	30 x 15 x 23	

COMPLIES WITH AS4991

